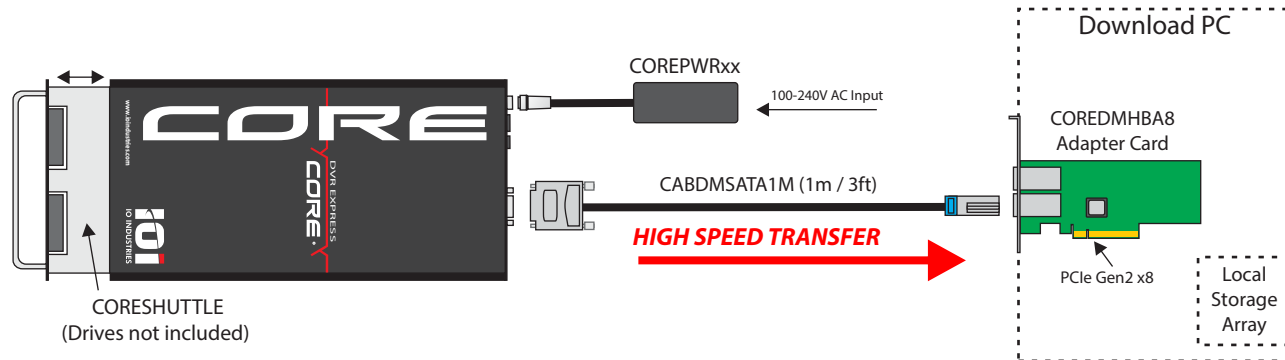


The Core Download Module allows high-speed access to recordings made with a DVR Express Core or Core 2 video recorder. In situations where the recorder is installed in a vehicle or aircraft, the Download Module allows the recordings to be reviewed in their native format at a separate location such as a ground station or processing lab.

After recording video with a Core or Core 2, transfer the removable drive shuttle to the Core Download Module. Then, use either IO Industries CoreView or Streams 7 software to review, archive or export the recordings into common file formats..

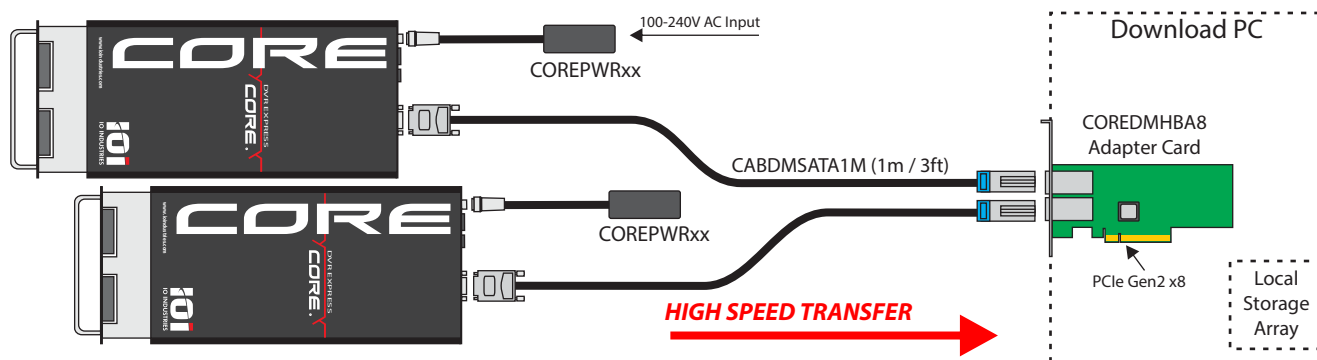
Download Module Kit for one Core recorder:



Part Number: COREDMKIT4

Includes: 1x DVR Express Core Download Module, 1x CORESHUTTLE (empty), 1x COREPWRxx AC Adapter, 1x CABDMSATA1M cable, 1x COREDMHBA8 adapter card (PCIe Gen2 x8)

Download Module Kit for two Core recorders:



Part Number: COREDMKIT8

Includes: 2x DVR Express Core Download Module, 2x CORESHUTTLE (empty), 2x COREPWRxx AC Adapter, 2x CABDMSATA1M cables, 1x COREDMHBA8 adapter card (PCIe Gen2 x8)

SPECIFICATIONS:

Core Download Module

Dimensions: 320 x 165 x 50 mm (12.6 x 6.5 x 2")
Weight: Approx. 1.4 kg (3 lbs)
Power: 14-34V DC, Approx. 14W

COREDMHBA8

Form Factor: Half Height
Interface: 8-lane PCI Express 2.0
Supported OS:
Windows XP/Vista/7/8.1/10 (32/64-bit)
Linux: Ubuntu 14.04 LTS (32/64-bit)

Canadian Distributor:
High Speed Imaging Inc.
520 Allbright Road Uxbridge Ontario Canada L9P 1R4
Phone: (905) 649-5445 E-mail: info@hsi.ca Web: www.hsi.ca

